

RotaRead PULSE KIT



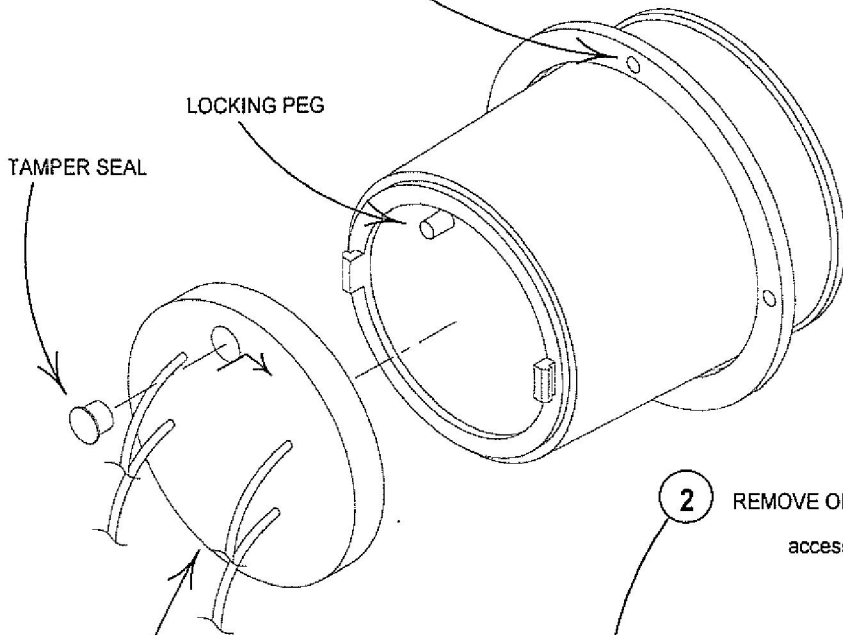
RIOTronics

6841 S. Yosemite, Unit 3C ♦ Englewood, CO 80112
(303) 773-2600 ♦ (303) 773-1148 Fax

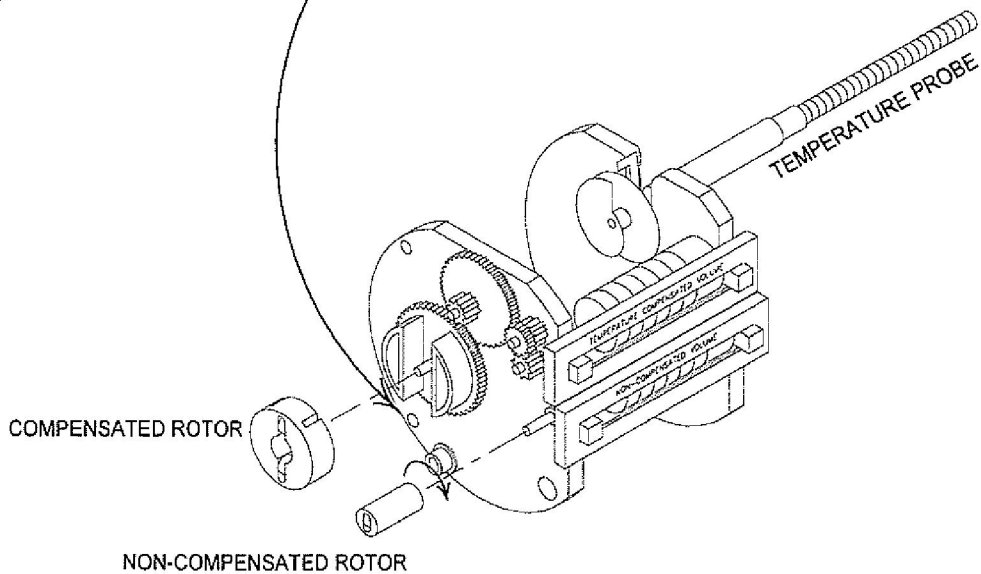
RMLL-N 5.0 cf/pulse for ROOTS LIFE-LUBE NON-COMPENSATED OUTPUT
RMLL-C 50.0 cf/pulse for ROOTS LIFE-LUBE COMPENSATED OUTPUT
RMLL-NC BOTH COMPENSATED AND NON-COMPENSATED OUTPUTS

NOTE: DUAL CONTACTS ARE AVAILABLE FOR ALL SWITCHES.

- 1 REMOVE FOUR SCREWS: CAREFULLY remove entire unit from gas meter. DO NOT damage temperature probe.



- 2 REMOVE ONE COVER SCREW: Screw is located on the inside plate of unit, accessible through a large hole in outside plate. Slide cover from unit.



- 3 INSTALL ROTOR(S): COMPENSATED.... Align rotor slots with ribs on gear and push on until rotor bottoms.
NON-COMPENSATED.... Twist rotor clockwise while pushing onto shaft. Push onto shaft until rotor contacts frame.

- 4 RE-ASSEMBLE COVER TO UNIT and re-install unit onto gas meter.

- 5 INSTALL SWITCH PLATE: Align switch plate so that locking peg fits into slot in back. Push switch plate onto cover and rotate clockwise until peg is centered in tamper seal hole. Install tamper seal.